

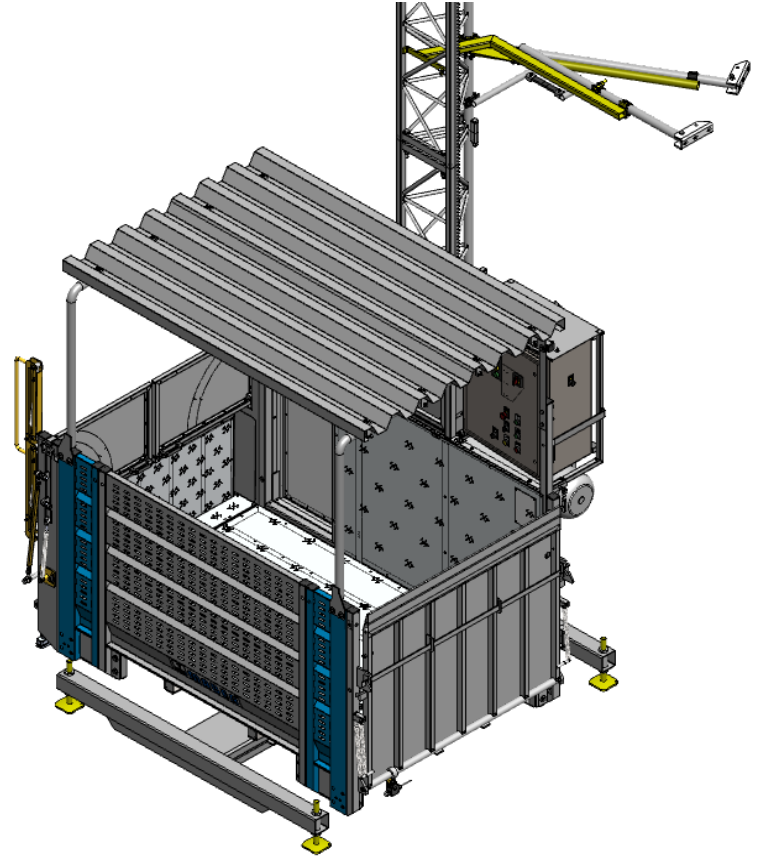
### KEY FEATURES & BENEFITS

#### Cost-Effective and Versatile

- High Speed Hoist for about 1/3 of the cost of larger hoists
- Dual purpose – can be used as a material hoist or transport platform
- Vertical mast compatible with our personnel hoist – MC2000 PMB D/V
- Soft Start / Stop feature to protect payload

#### Much Easier to Install and Operate

- Lower pull-out force and downward forces
- Fold-out platform for easy installation of wall ties
- Self-erecting, build as you go
- Small footprint fits into confined spaces (Approximate area required for hoist placement: 106" x 103")
- Unique open/close system for unloading ramp
- Easy access to electrical panels for maintenance
- Fully galvanized loading and lifting unit for protection from the elements



**Applicable Standards:** ANSI/ASSP A10.5 and ANSI/SAIA A92.10

### INDUSTRIES SERVED

- **Scaffolding**
- **Masonry**
- **Restoration & Renovation**
- **Glazing**



**Contact BETA MAX today to discuss your project or get a quote.**

[www.BetaMaxHoist.com](http://www.BetaMaxHoist.com)

**(800) 644-6478**

## SPECIFICATIONS

<b>Lift Capacity</b>	<b>2500 lbs</b>
<b>Lift Speed</b>	<b>40 fpm and 80 fpm</b>
<b>Basket Dimensions</b>	<b>82" x 55"</b>
<b>A/C Power</b>	<b>3 <math>\Phi</math> 208v, 45A</b> <b>(Recommended 100A supply power service to the base of unit)</b>

